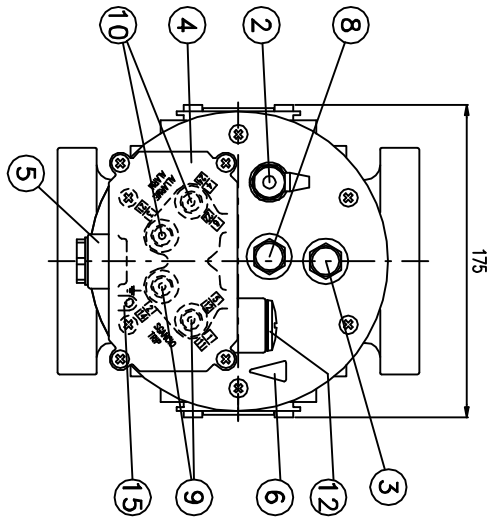
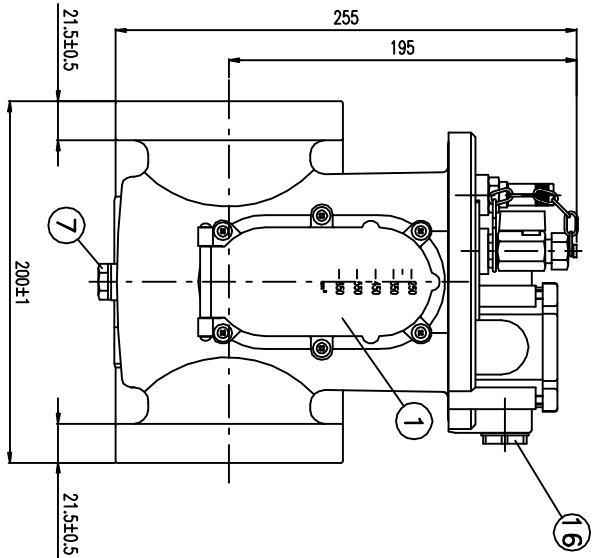
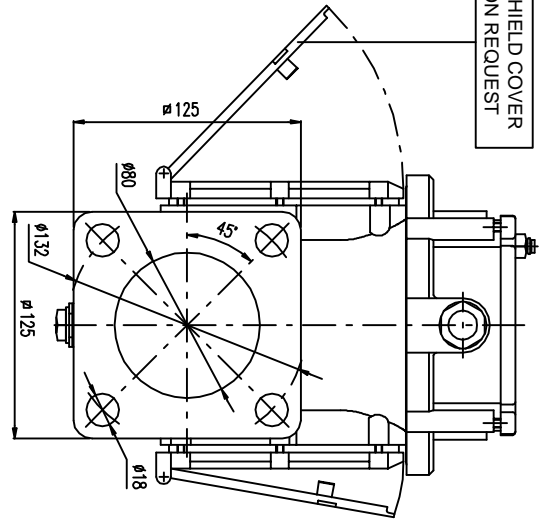
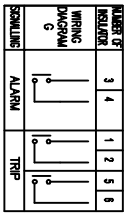
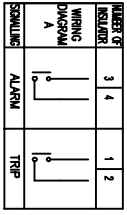


SUNSHIELD COVER
UPON REQUEST

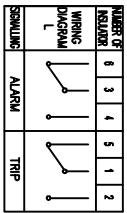


STANDARD WIRING DIAGRAM

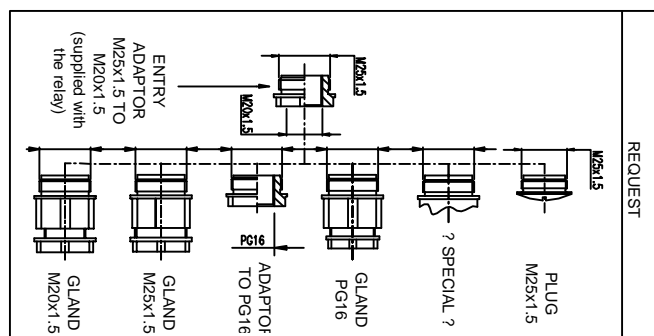


Normally open contacts	
Voltage	Max current
24V d.c. to 240V d.c. up to 230V a.c.	2A
Breaking capacity	400VA c.a.s

Change over contacts	
Voltage	Max current
24V d.c. to 240V d.c. up to 230V a.c.	1A
Breaking capacity	130VA L/R-c.a.s 250VA c.a.s



16	Entry adaptor M25x1.5 to M20x1.5 (supplied with the relay)
15	Earth screw
13	Window sunshield cover
12	Plug M25x1.5
10	Alarm terminals
9	Trip terminals
8	Pneumatic test device
7	M8 Oil drain plug
6	Oil flow direction (from tank to conservator)
5	Cable gland entry M25 - M20
4	Terminal box
3	Push button for checking electric circuits
2	1/4" G Gas release cock
1	Inspection window
Pos.	Description



CEDASPE		Titolo	
Buchholz relay		BQ80	
Modifico	Modifico	kg	kg
1	24/01/13	1	1
3	02/11/17	agg. tabella contatti	
2	25/02/16	camp. demon. & rimesso S4	
1	24/01/13	Modif. sp. flange	
Incl.	Data	Peso	Grzzo
		Finito	
Finitura		Tolleranza generale UNI-ISO 2768	
Trattamento		Qualità = f □ m □ c □	
Unific.		Assieme =	
Materiale			
Design			
Data		Data 12/11/12	
Codice grzzo =		Scda ===	
Codice =		Dis.	
		Dis. Nr 3698	
		Visto 1 2 3	