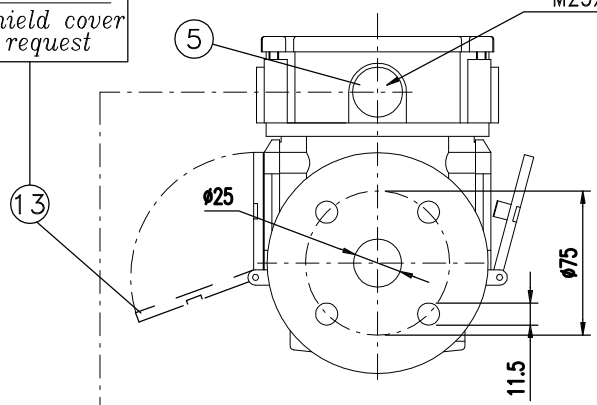
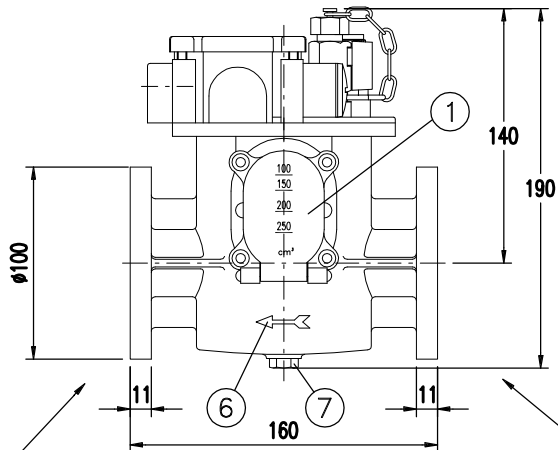


TYPE ET025

PAGE12

Protezione finestra a richiesta
Sunshield cover upon request

CABLE ENTRY M25x1.5



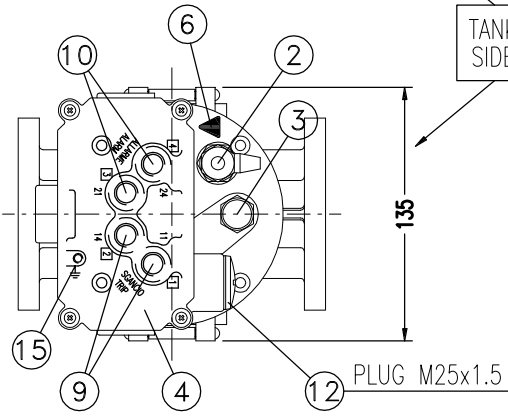
ENTRY ADAPTOR M25x1.5 TO M20x1.5 (supplied with the relay)

ENTRY ADAPTOR M25x1.5 TO PG16 (on demand)

CABLE GLAND M25x1.5 or M20x1.5 or PG16 (on demand)

CONSERVATOR SIDE

TANK SIDE



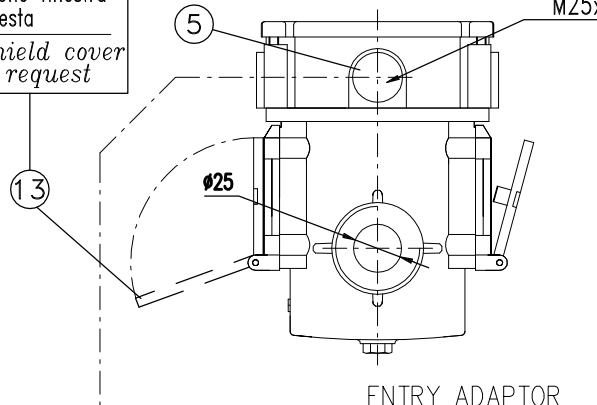
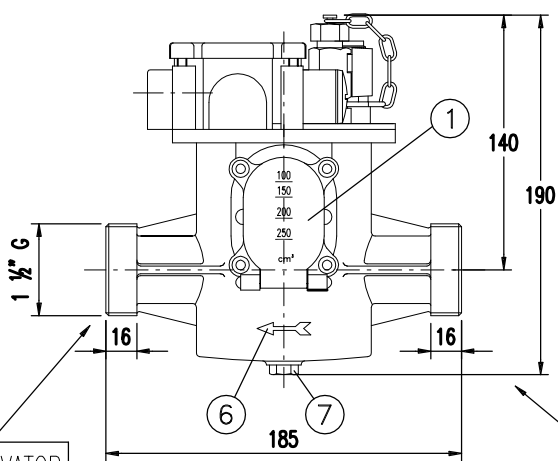
Dim in mm.
WEIGHT Kg 1.50

The figure shows the relay ET025 Scale 1:4

TYPE EB024

Protezione finestra a richiesta
Sunshield cover upon request

CABLE ENTRY M25x1.5



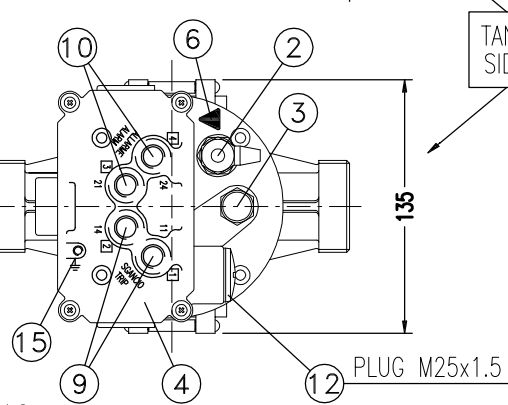
ENTRY ADAPTOR M25x1.5 TO M20x1.5 (supplied with the relay)

ENTRY ADAPTOR M25x1.5 TO PG16 (on demand)

CABLE GLAND M25x1.5 or M20x1.5 or PG16 (on demand)

CONSERVATOR SIDE

TANK SIDE



Dim in mm.
WEIGHT Kg 1.40

The figure shows the relay EB024 Scale 1:4

FILE = 3856 .DWG
 REV. 00 DTD 12/03/13
 La CEDASPE S.p.A. si riserva a termini di legge la proprietà del presente disegno con divieto di riprodurlo o comunicarlo a terzi senza sua autorizzazione.



Titolo
Gas actuated relay ET 25
EB 24 EN50216-2

Data **12/03/13**
 Scala **====**
 Dis.
 Visto

Dis. Nr
3856