

6	Rubber plugs
5	Glass tubes
4	Revolving nut 1/4" BSP
3	Test probe 1
2	Test probe 2
1	Support
Pos.	Description

Schema di montaggio  
Mounting sketch

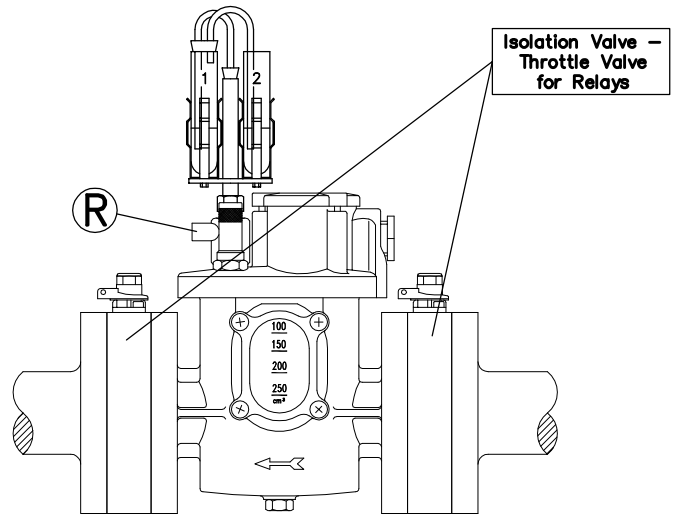


Fig. A: directly on relay

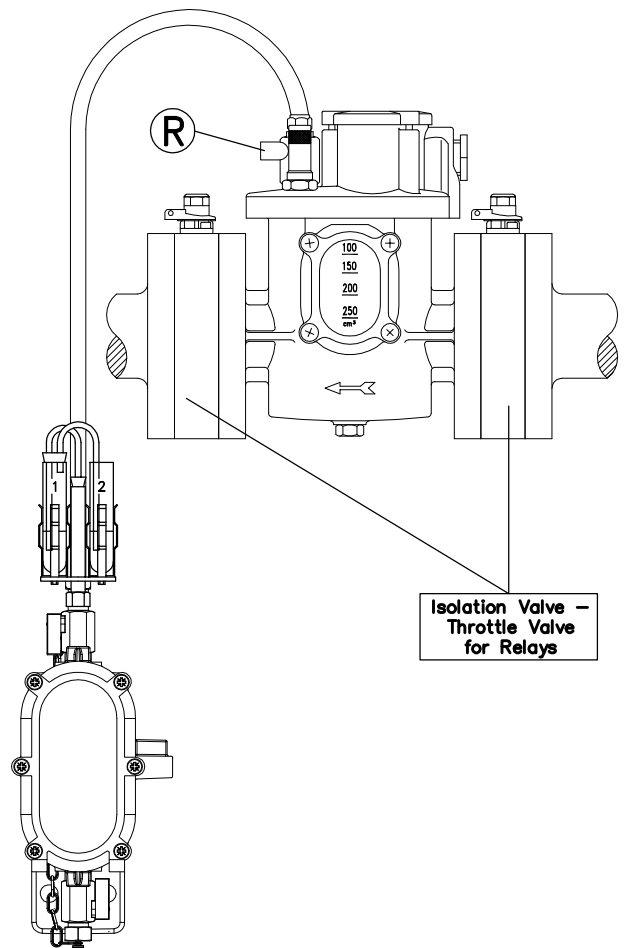


Fig. B: With RG3 apparatus