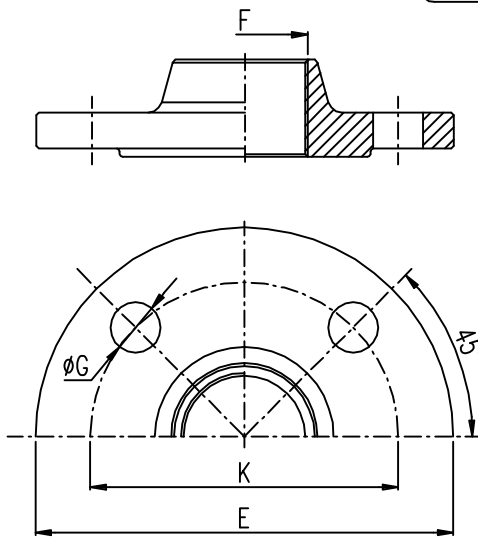
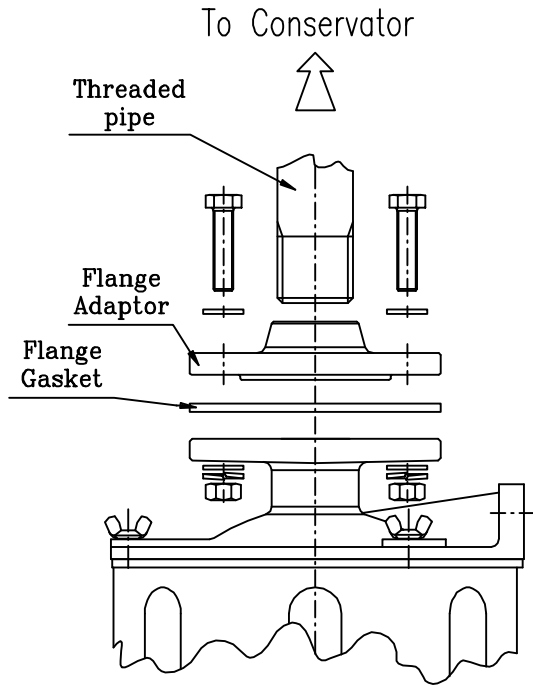
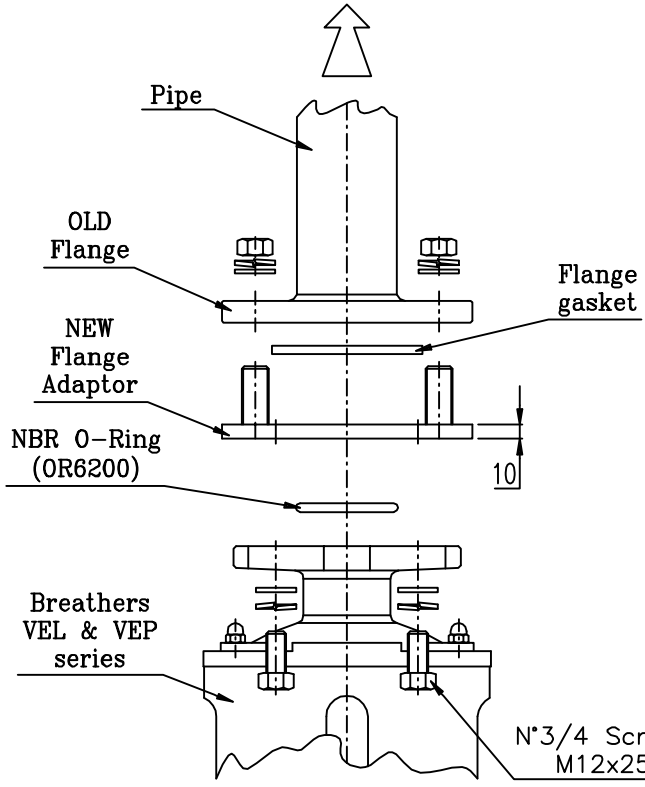


5.50.C

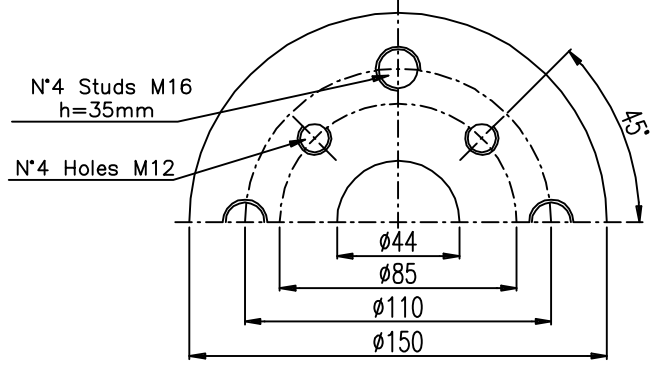


3	115	85	1"1/2 G	14	VEP27-29-47-49	VE30/VE4-EL	Flange adaptor to 1"1/2 BSP pipe	9CE04DBF015
2	115	85	1"G	14	VEP01 ÷ VEP07	VE10	Flange adaptor to 1" BSP pipe	9CE04DBF007
1	150	110	1"1/2 G	18	VE50 ÷ VE150	VE50...150-A1	Flange adaptor to 1"1/2 BSP pipe	9CE04DBF012
Pos.	E	K	F	øG	For breathers	Old breathers	Note	Code

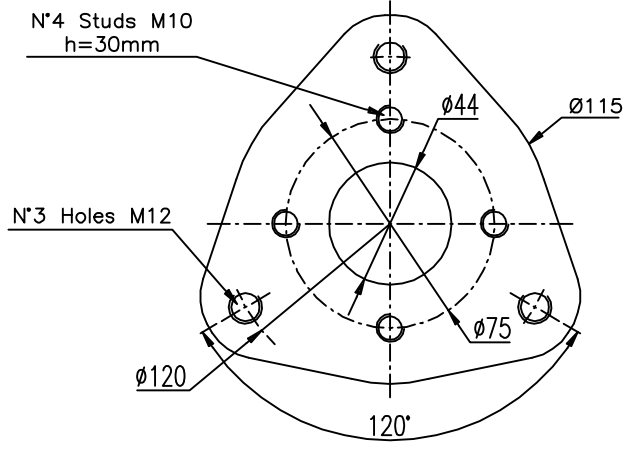
To Conservator



Pos. 4 For breathers VEP27-29-47-49  
Flange adaptor DN25 to DN40/PN10 (Ex VE30/VE4-EL)  
Code: 9CE04DBF014



Pos. 5 For breathers VEP01 ÷ VEP07  
Flange adaptor to DN25/PN6 (Ex VE10)  
Code: 9CE04DBF013



Titolo  
**Special flange adaptor  
for breathers**

Data 30/09/11  
Scala ==  
Dis.  
Visto

Dis. Nr  
**3538**

1	2	3	4
---	---	---	---