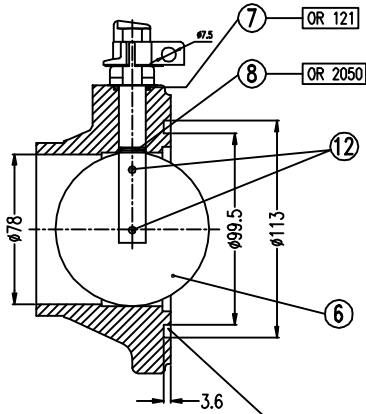
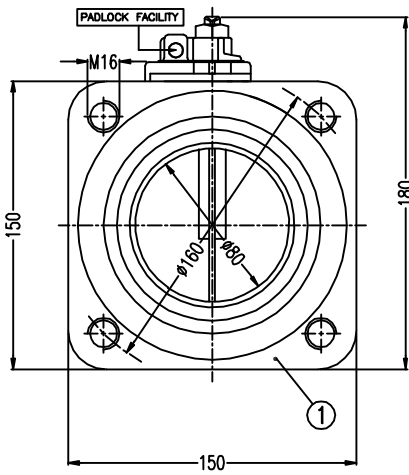
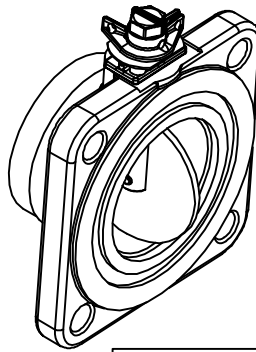
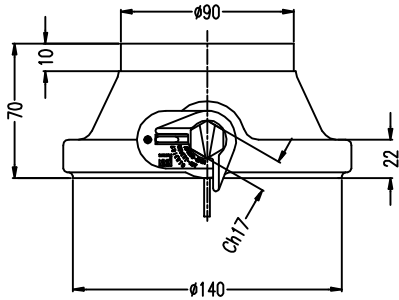


Tronchetto a saldare / Welding neck



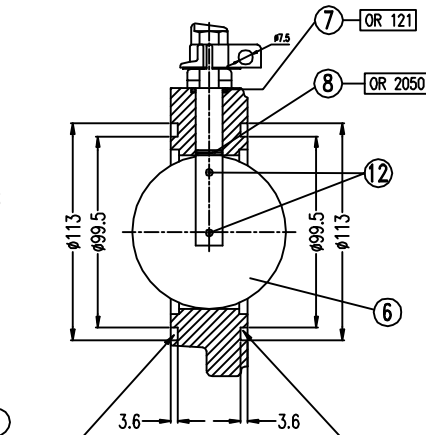
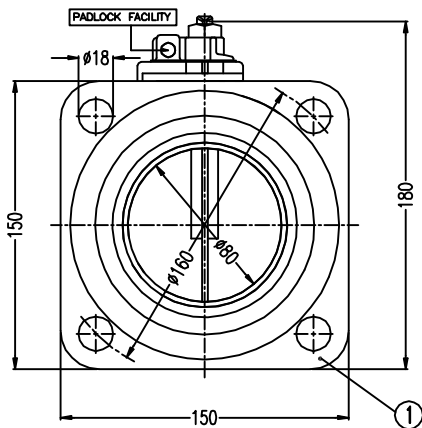
Sede per O-Ring OR 6400 STD NBR
Seat for O-Ring OR 6400 STD NBR



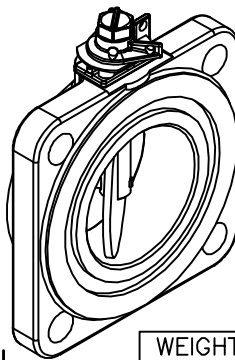
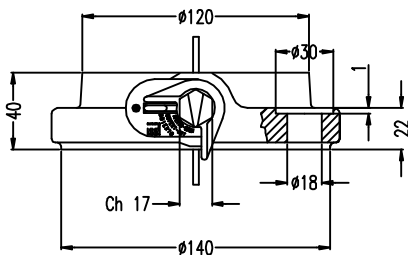
WEIGHT: 4.5 Kg

Fig.1 - Type SW80-A1L CODE: AVSW080A8L

Montaggio tra due flange / Mounting between flanges

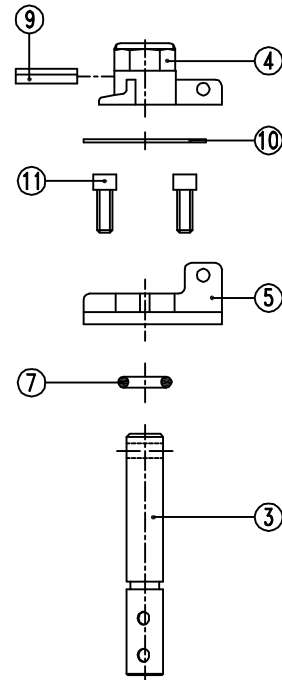


Sede per O-Ring OR 6400 STD NBR
Seat for O-Ring OR 6400 STD NBR



WEIGHT: 4 Kg

Fig.2 - Type SW80-B1L CODE: AVSW080B8L



Schema smontaggio componenti per sostituzione guarnizione

Assembly sketch showing gasket replacement

Pos	Description	Material
1	Body	Steel
3	Spindle	Steel
4	Drive	Brass
5	Gland	Brass
6	Throttle	Steel
7	O-ring	HNBR
8	O-ring	HNBR
9	Pin	Stainless Steel
10	Label open/closed	Aluminium
11	Screw	Stainless Steel
12	Rivet	Stainless Steel

Il presente disegno sostituisce i disegni NR 1297 - 1298 PAG. 5.76.B

The present draw take place drawings NR 1297 - 1298 PAG. 5.76.B